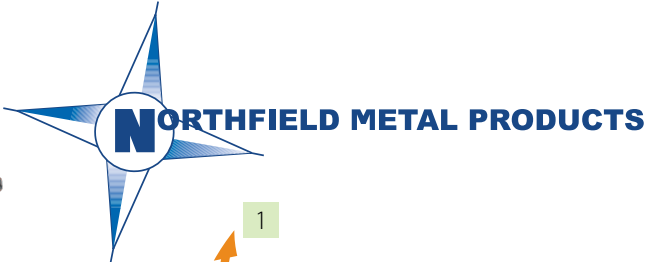


# T4004 Knee-Tilt

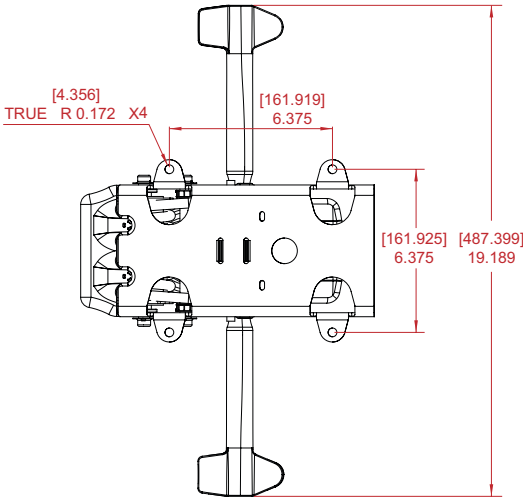


- 1 Seat Height Adjustment
- 2 Tilt Lock
- 3 Tension Adjustment

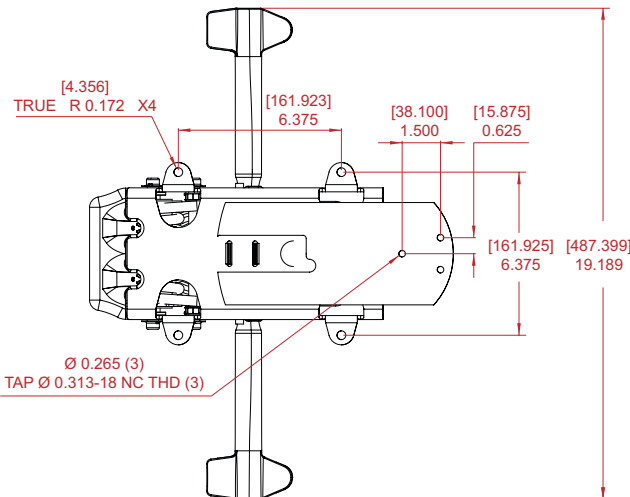
## Providing a comfortable ride to stimulate good ideas in the conference room...

The T4004 Single Position Knee-Tilt is a twin-lever mechanism designed with conference room and hospitality seating sectors in mind. Features 0° at-rest tilt lock position.

Seat Plate Mounting View



Seat Plate Mounting View with Stub



10521\_LP\_6/11 © 2011 Leggett & Platt, Incorporated

Pivot	Seat/Back Travel
Kneetilt	18°