

# T3001 Synchro-Glide

A day at the office just got easier...

The T3001 Synchro-Glide mechanism provides a unique ride which has very little seat rise at the front of the seat. This eliminates excess pressure under your legs just behind the occupant's knees which is usually



T3001HD PSR TA BLK 17-4E JBUF W/ CROSS BARS (3001 HOLE PATTERN)



# T3001 Synchro-Glide



T3001HD SG TA PSR EB-3 BLK 174E WITH TRI-LOBE SIDE TENSION & INTEGRATED AUTO SEAT SLIDER

## A Separate Back Adjustment Options



## B Handwheel Options



5 Star (Standard)



Northfield Round



Doerner Round



Free Float



PSR Handwheel

## C Cam Activated Seat Slider Options



BT Paddle



Pictogram Paddle



UK Paddle



Spoon Paddle



EG Paddle



SG Paddle



S-Knob

## D Side Tension Adjustment Options



Crank Style



Round Handwheel

## E Arm Bracket Options

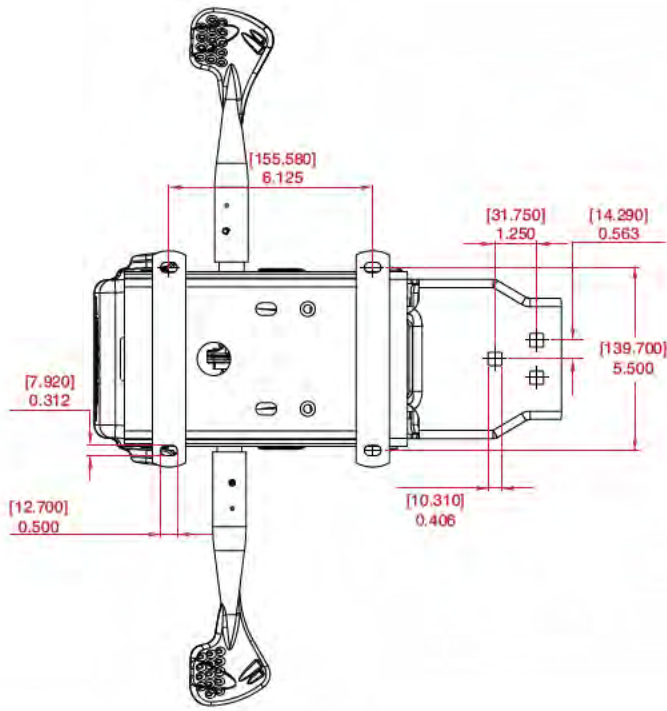


AT2 Arm Brackets\*

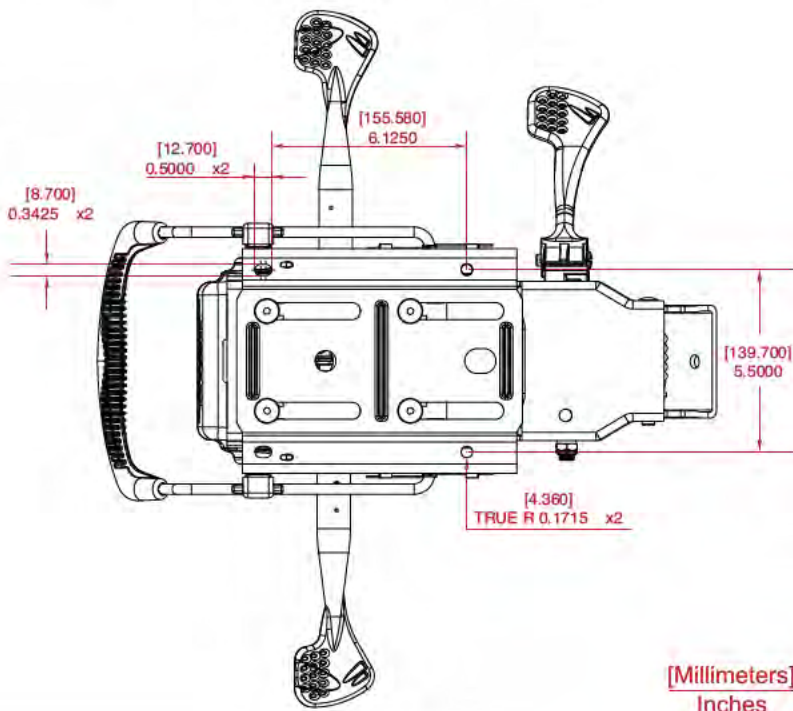
\* variable locations available by welding in different locations on the seat plate or integrated seat slider



## Cross Bar Mounting View



## Integrated Seat Slider Mounting View



## Specifications

### Mechanism Features & Options:

TA – Top activation located on the right side of the mechanism  
 PBR – 5 Position positive back release located on the left side of the mechanism  
 HD – Heavy duty spring  
 Side Tension – Option side tension adjustment is available with a variety of adjustment knob styles

Hole Pattern – T3001 Hole pattern and balance point with (2) cross bars

Arm Brackets – Arm brackets can be welded to the mechanism or seat slider plates

Seat Slider – Integrated automotive style, Cam Activated Auto Seat Sliders, and Rotary Auto Seat Slider (2.50" of travel seat slider factory installed)

### Mechanism Angles:

Seat – 2° Forward / 10° Rearward  
 Back – 6° Forward / 19° Rearward

### Gas Cylinder Tapers:

17-4E Extruded 17-4 Taper

### Arm Brackets:

ADJ2 – Adjustable Arm Brackets  
 AT2 – Fixed Arm Bars

## Northfield Metal Products Ltd.

195 Bathurst Drive  
 Waterloo, ON N2J 3Z9 CANADA  
 ☎ 519-884-1860  
 ☎ 1-866-362-9301 (Canada/USA)  
 ☎ 1-800-362-9301 (International)  
 ☎ 519-884-5476  
 ✉ sales@northfieldmetal.on.ca



© 2009 Northfield Metal Products Ltd. The shape of a Northfield Chair Control is a TRADE-MARK of Northfield Metal Products. The shape is your guarantee that you have purchased a genuine, high quality product made by Northfield. Northfield Metal Products Ltd. is a division of Leggett & Platt Ltd. Printed in Canada.



Manufactures certifies that this product meets or exceeds applicable ANSI/BIFMA standards.

