

# Northfield Pull-Out Bed Mechanism

---



# Northfield Pull-Out Bed Mechanism

We're expanding our horizons beyond the office environment with the introduction of the Pull-Out Bed Mechanism

The Northfield Pull-Out Bed Mechanism provides comfort for patients, visitors and/or staff to ensure support and comfort in the healthcare environment. It features an easy to open and close chair action while maintaining safety.

STAGE 1



STAGE 2





STAGE 3



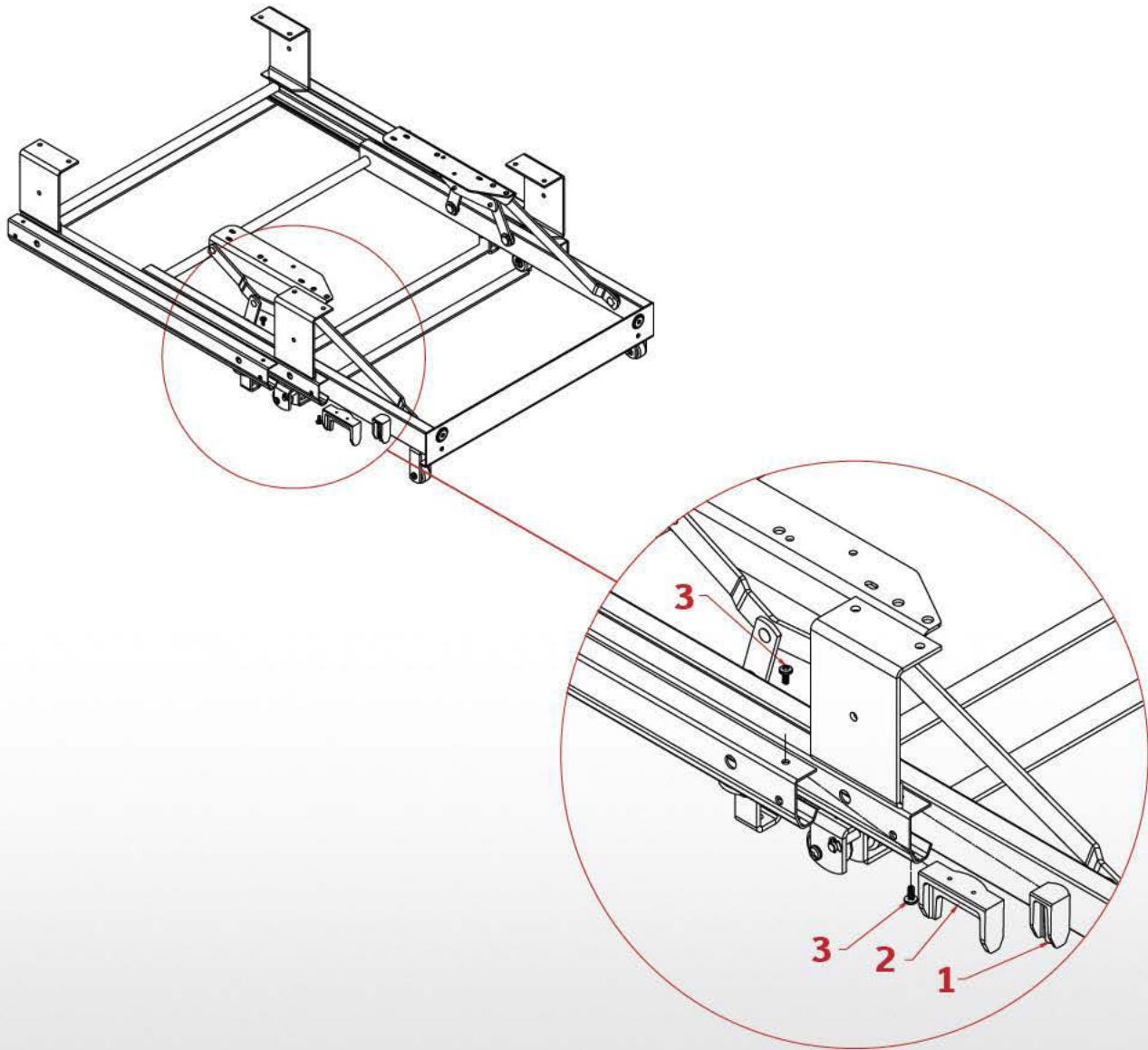
STAGE 4



STAGE 5

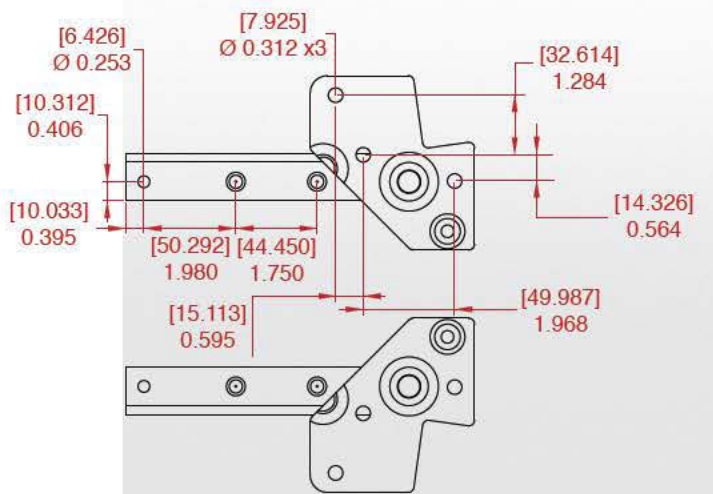
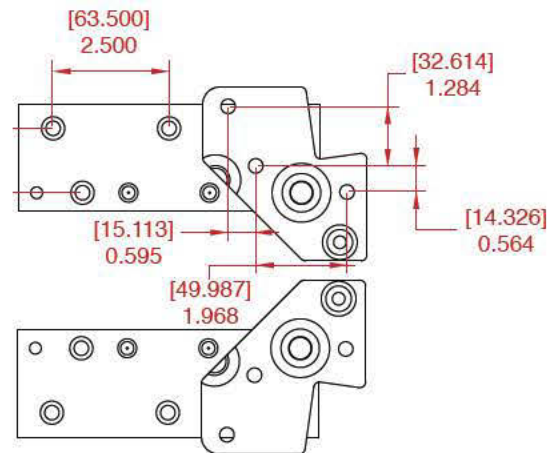
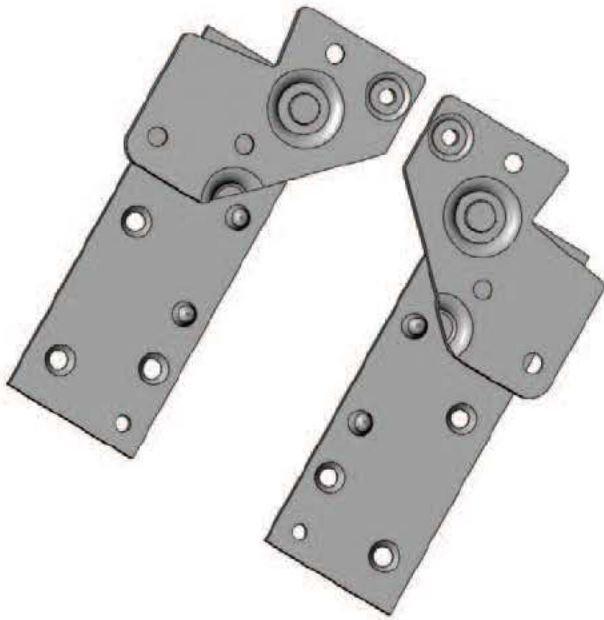
# Northfield Pull-Out Bed Mechanism

## Stop Block Assembly Instructions



- 
- 1** Slide item #1 stop block position & fasten with item #3 from bottom side.
  - 2** Slide item #2 stop block into position & fasten with item #3 from top side.
  - 3** Repeat assembly on opposite side.

## Pillow Hinge Mechanisms



[Millimeters]  
Inches

**Notes:**

---

**Notes:**

---



**NORTHFIELD METAL PRODUCTS**

A division of *Leggett & Platt* Ltd.

**Northfield Metal Products Ltd.**  
a division of Leggett & Platt Ltd.

195 Bathurst Drive  
Waterloo, ON N2J 3Z9 CANADA

☎ 519-884-1860  
☎ 1-866-362-9301 (Canada/USA)  
☎ 1-800-362-9301 (International)  
☎ 519-884-5476  
✉ [sales@northfieldmetal.on.ca](mailto:sales@northfieldmetal.on.ca)



Manufacturer certifies  
that this product meets  
or exceeds applicable  
ANSI/BIFMA standards.



© 2009 Northfield Metal Products Ltd. The shape of a Northfield Chair Control is a TRADE-MARK of Northfield Metal Products. The shape is your guarantee that you have purchased a genuine, high quality product made by Northfield. Northfield Metal Products Ltd. is a division of Leggett & Platt Ltd. Printed in Canada.