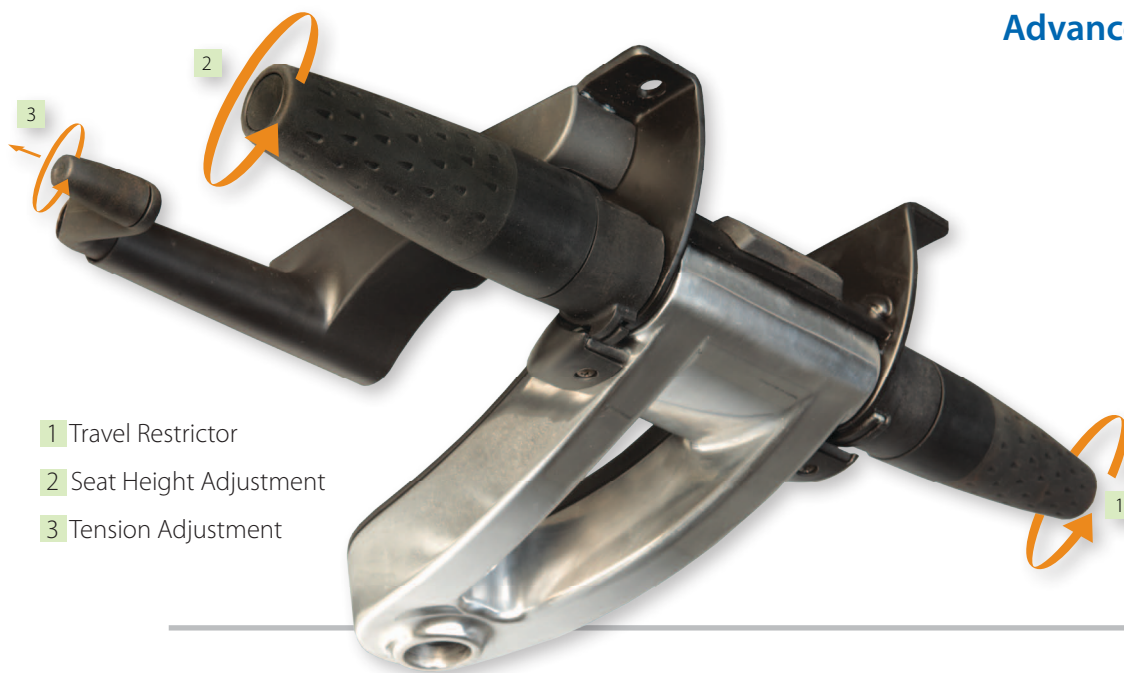


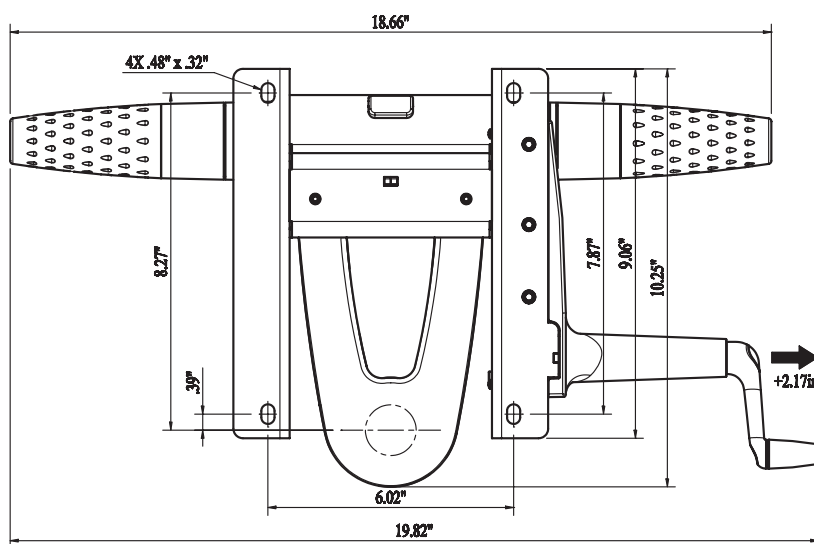
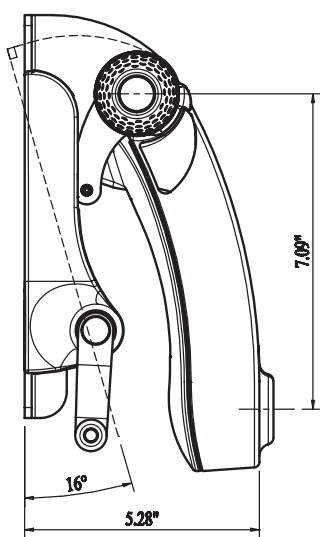
Advanced Knee Tilt Mechanism



- 1 Travel Restrictor
- 2 Seat Height Adjustment
- 3 Tension Adjustment

LP04 is an advanced knee tilt mechanism utilizing the durability and low profile characteristics of a torsion bar spring source. The torsion bar design enables the mechanism to provide a wide range of tension adjustment and supportive movement throughout the entire travel range. Two key features of the mechanism, chair height adjustment and the travel restrictor, are located coaxially. Tension adjustment is achieved through

a conveniently located side accessed handle. The unique aluminum base support is integrated with a steel upper structure. LP04 is designed to fit the L&P SWS Plastic Seat. The LP04's travel restrictor system allows the mechanism to be locked in the 0 degree forward position or to restrict the ride in three additional positions within the 16 degree travel range.



Leggett & Platt
INCORPORATED

10521_LP_6/11 © 2011 Leggett & Platt, Incorporated

| Pivot | Seat/Back Travel | Fwd Tilt Range |
|-------|------------------|----------------|
| Knee | 16° | 5° Option |