



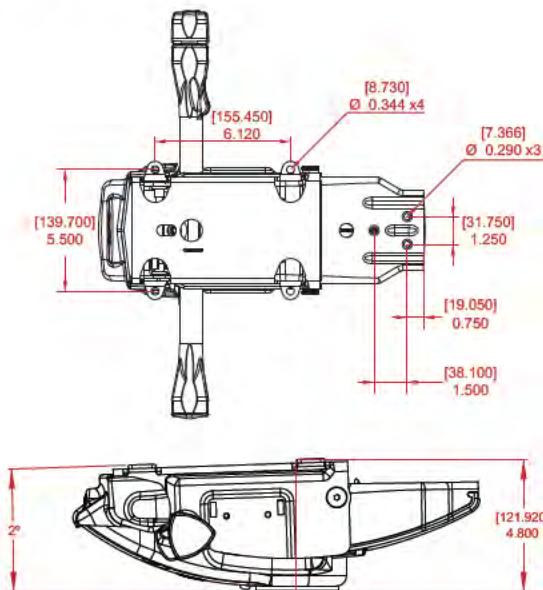
- 1 Seat Height Adjustment
- 2 Tilt Lock
- 3 Tension Adjustment

## Office to Office Coverage... from Task to Executive Seating

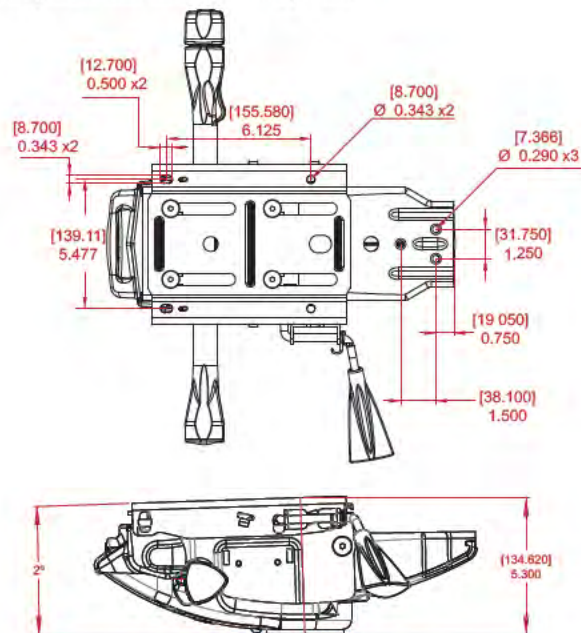
The modern styled Euro Glide II Synchro-Tilt mechanism has a unique synchronized ride that cradles the occupant as they recline in the chair.

The Euro Glide II features include tri-lobed levers, side tension adjustment, a five position anti-kick lock, seat height adjustment, several separate back adjustment options, and plastic shrouds that streamline the overall appearance.

Seat Plate Mounting View



Integrated Seat Slider Mounting View



Pivot	Back Travel	Seat Travel	Synchro Ratio	Fwd Tilt Range	Sliding Seat Range
Synchro	21°	10°	2 to 1	2°	2.5"

Top Activation Lever  
+ Side Tension Adjustment

Tilt Lock  
Lever



**A**

Separate Back Adjustment

EURO GLIDE II PSR TA JBUF BLK 17-4E W/ CAM ACTIVATED AUTO SEAT SLIDER W/ ARM BRACKETS

Optional Fold-Out  
Crank Style Lever



The Euro Glide II forward pivot synchro-tilt mechanism can be upgraded to a fold out crank style rotary knob. This easily accessed lever has been engineered to provide proper tension adjust throughout the full range of spring tension.

Integrated Seat Slider  
(Return Springs Optional)



Seat Slide Lever **C**



**B** ADJ2 Arm Brackets  
(Optional)

EURO GLIDE II PSR TA JBUF BLK 17-4E W/ CAM ACTIVATED AUTO SEAT SLIDER W/ ARM BRACKETS

## **A** Separate Back Adjustment Options (shown with pictogram paddle)



## **B** Arm Bracket Options



AT2 Arm Brackets\*

\* variable locations available by welding in different locations on the seat plate or integrated seat slider

## **C** Cam Activated Seat Slider Lever Options



*Leggett & Platt*  
INCORPORATED

9542\_LP\_4/10 © 2010 Leggett & Platt, Incorporated