

# Northfield Bolt-On Seat Sliders

---



# Northfield Bolt-On Seat Sliders



## SIDE ACTIVATED SEAT SLIDER



To disengage the lock, pull the plunger away from the seat. When the plunger is disengaged and your body weight is shifted forward or rearward, the seat will slide. The seat slider will travel a total of 2.5 inches with locking positions every 0.5 inch. After the desired adjustment has been completed release the plunger for a secure lock.

## FRONT ACTIVATED SEAT SLIDER



To disengage the lock, push the plastic lever in towards the seat. When the lever is disengaged and your body weight is shifted forward or rearward, the seat will slide. The seat slider will travel a total of 2.5 inches with locking positions every 0.5 inch. After the desired adjustment has been completed release the plunger for a secure lock.

## CAM ACTIVATED SEAT SLIDER



To disengage the lock, lift up on the paddle located on the left side at the front of the mechanism. When the lever is disengaged and your body weight is shifted forward or rearward, the seat will slide. The seat will travel a total of 2.5 inches with locking positions every 0.5 inch. After the desired adjustment has been completed, release the lever for a secure lock.

To disengage the lock, pull up on the lever located at the front of the seat. When the lever is disengaged and your body weight is shifted forward or rearward, the seat will slide. The seat slider will travel a total of 2.5 inches with locking positions every 0.5 inch. After the desired adjustment has been completed release the lever for a secure lock.



**BOLT-ON AUTO SEAT SLIDER**

To disengage the lock, lift up on the automotive style lever (located on the front) or cam activated lever (located on the side). With the lever disengaged shift your body position forward or rearward for movement. With 2.5 inches overall travel and 5 possible locking positions every 0.5 inch, after the desired adjustment is achieved, releasing the lever will provide a secure lock.



**AUTO SEAT SLIDER III**

\* The seat sliders have been designed to work with two piece chairs only. The side, front, and cam activated seat sliders will work with the following mechanisms: T-791, T3001, T4002, TASK, TASK JR., ST5000, ST5100, ST3004, & SP6000.

\* The automotive style seat slider will work with the T-791 and SP-6000 mechanisms.

\* The Auto Seat Slider III has been designed to work with mechanisms utilizing the T3001 hole pattern.

**NOTES**

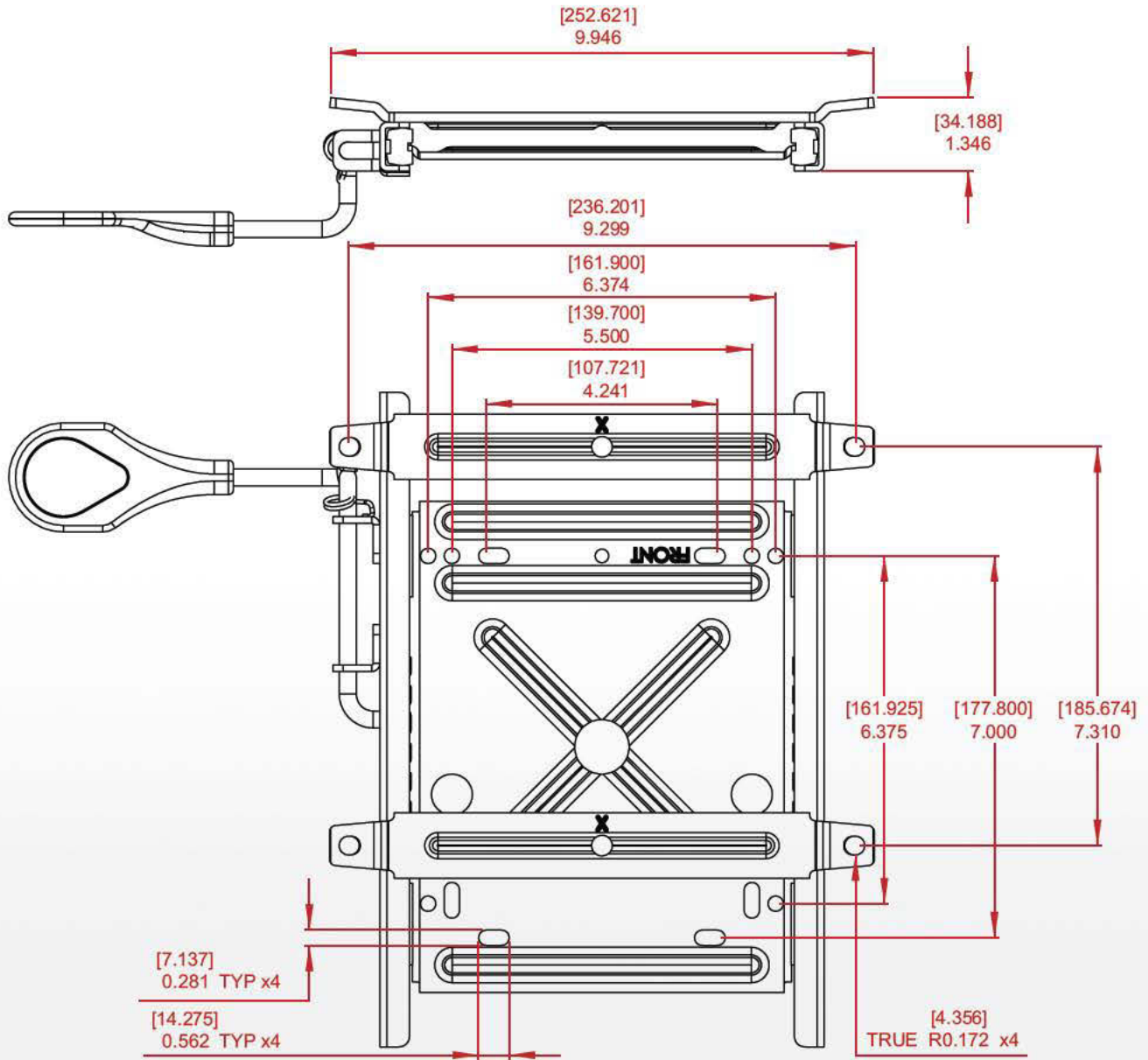


Northfield Bolt-On Seat Sliders are available with auto return springs.

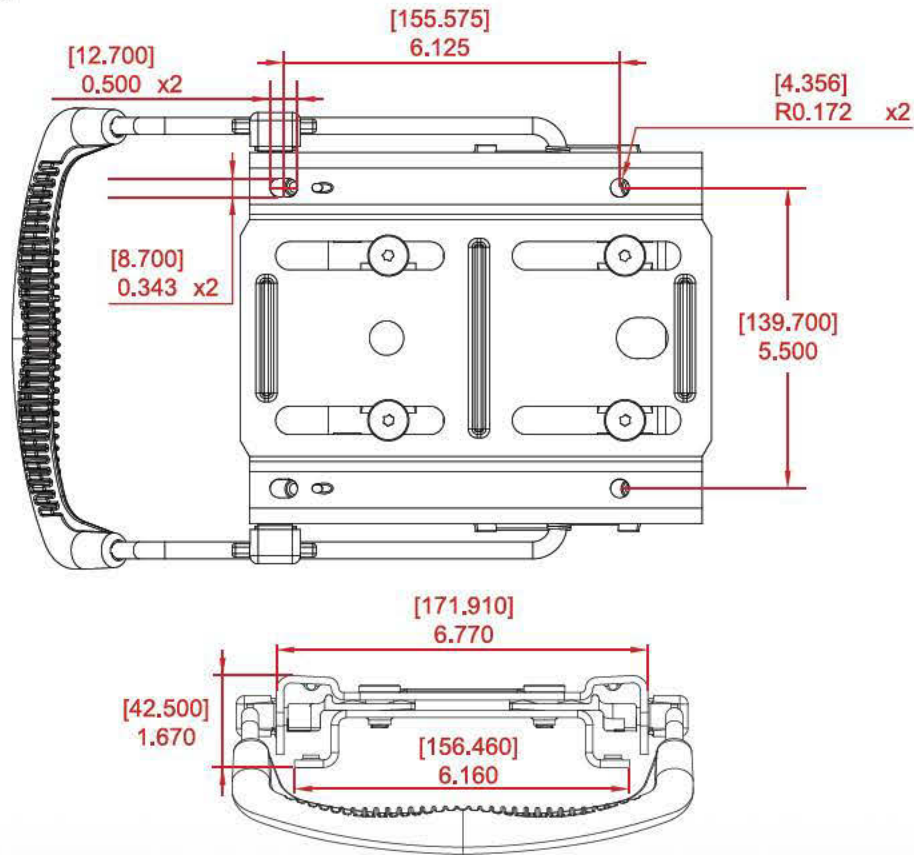
# Northfield Bolt-On Seat Sliders

## Seat Board Mounting View

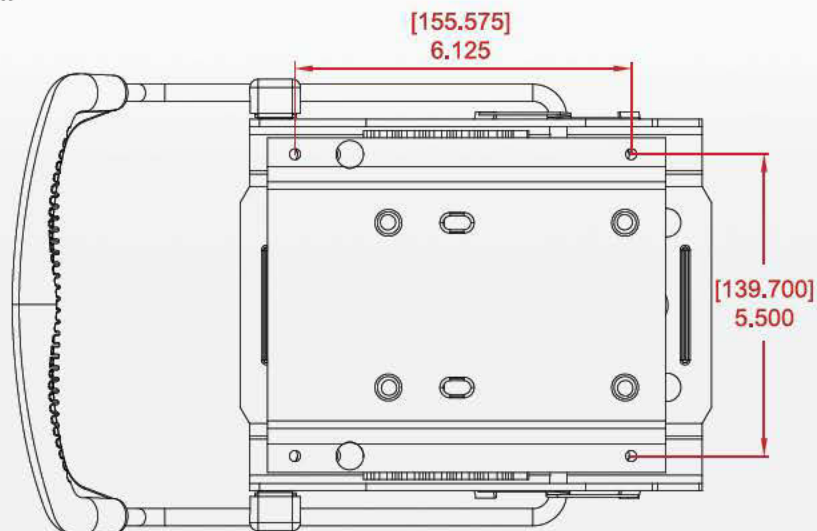
Side Activated, Front Activated, Bolt-On Auto, Cam Activated



## Seat Board Mounting View Auto Seat Slider III



## Mechanism Mounting View Auto Seat Slider III



# Northfield Bolt-On Seat Sliders - Options

Several paddle options are available on the Bolt-On and Cam Activated Seat Sliders

**BT PADDLE**



**PICTOGRAM PADDLE**



**UK PADDLE**



**SPOON PADDLE**



**EG PADDLE**



**SG PADDLE**



**S KNOB**



**TILT LOCK KNOB**



**Notes:**

---



**NORTHFIELD METAL PRODUCTS**

A division of *Leggett & Platt* Ltd.

**Northfield Metal Products Ltd.**  
a division of Leggett & Platt Ltd.

195 Bathurst Drive  
Waterloo, ON N2J 3Z9 CANADA

☎ 519-884-1860  
☎ 1-866-362-9301 (Canada/USA)  
☎ 1-800-362-9301 (International)  
☎ 519-884-5476  
✉ [sales@northfieldmetal.on.ca](mailto:sales@northfieldmetal.on.ca)



Manufacturer certifies  
that this product meets  
or exceeds applicable  
ANSI/BIFMA standards.



© 2009 Northfield Metal Products Ltd. The shape of a Northfield Chair Control is a TRADE-MARK of Northfield Metal Products. The shape is your guarantee that you have purchased a genuine, high quality product made by Northfield. Northfield Metal Products Ltd. is a division of Leggett & Platt Ltd. Printed in Canada.