

Synchro Tilt Mechanism



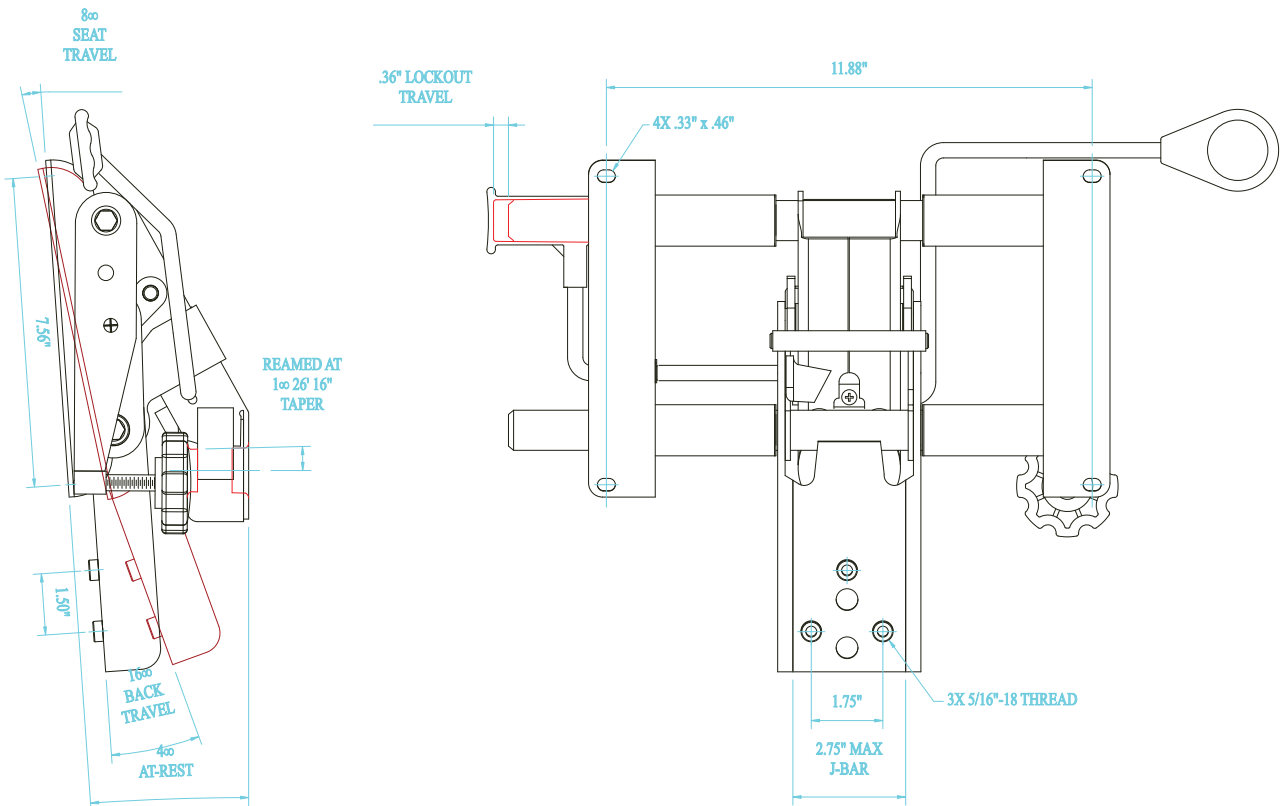
GORDON

comfort | performance | design



- 1 Mechanism Lock
- 2 Seat Height Adjustment
- 3 Tension Lock

A synchronized dual-torsion mechanism for task and managerial chairs. Features a single position tilt lock. Bottom knob for tension adust. Optional Slotted J-Bar for seat depth adjustment.



Leggett & Platt
INCORPORATED

10521_LP_6/11 © 2011 Leggett & Platt, Incorporated

Pivot	Back Travel	Seat Travel	Synchro Ratio
Synchro	16°	8°	2 to 1