



**GORDON**

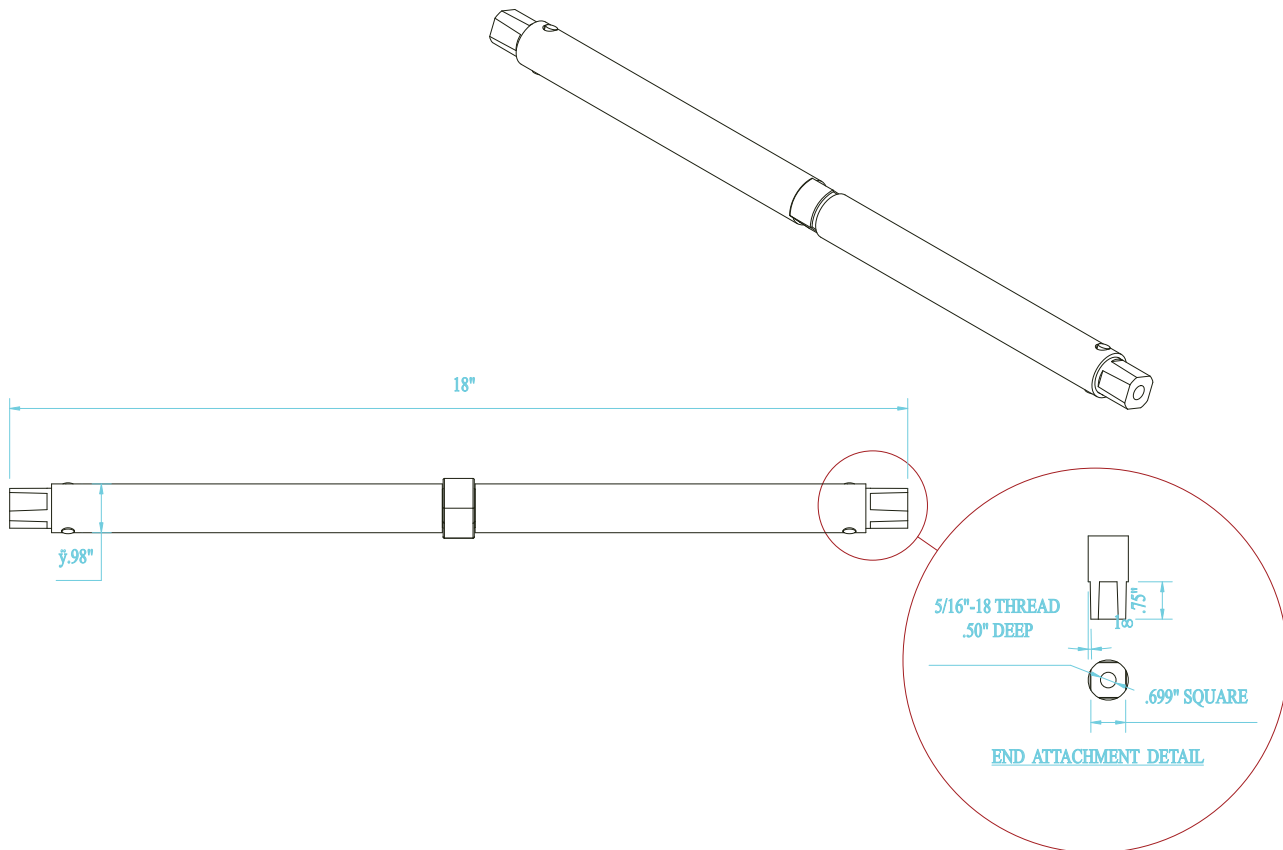
comfort | performance | design



Simple back recline mechanism featuring Torsion Bar power source. Designed to provide exceptionally smooth and consistent travel for traditionally static seating such as: side/stack chairs, patient seating, and lobby seating.

Available in multiple lengths with pre-torque tension capacity. Wood or Steel frame attachment capabilities.

\* Optional customized mounting brackets available



*Leggett & Platt*  
INCORPORATED

10521\_LP\_6/11 © 2011 Leggett & Platt, Incorporated

Pivot	Back Travel
Torsion Bar	8°