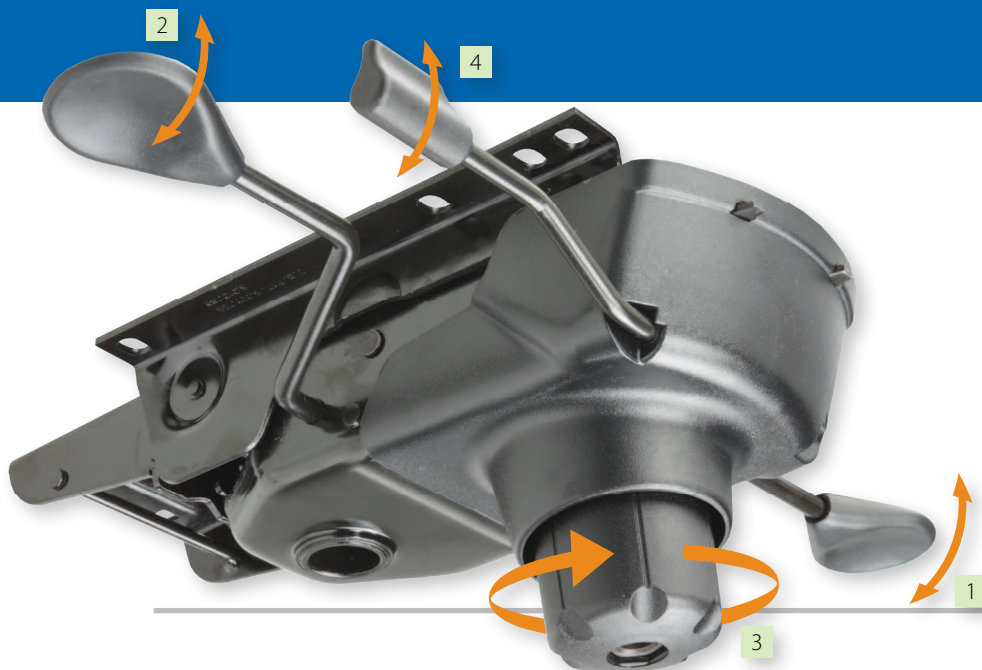


Synchro Tilt Mechanism



GORDON

comfort | performance | design

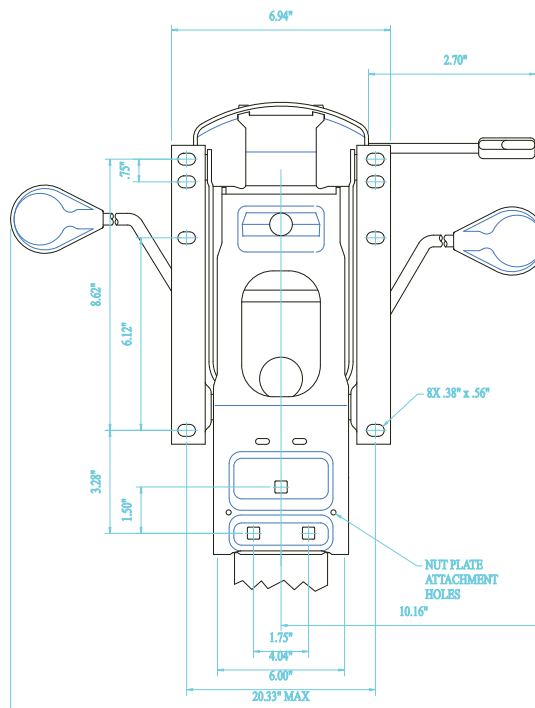
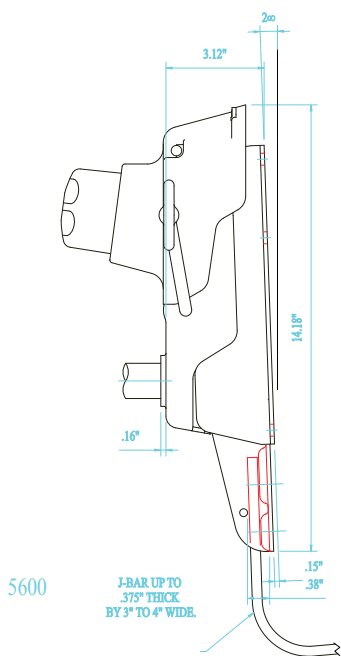


- 1 Mechanism Lock
- 2 Seat Height Adjustment
- 3 Tension Adjustment
- 4 Forward Seating Device

Synchronized mechanism for task and managerial chairs. The tilt tension range has been engineered to provide adequate spring tension and adjustability while maintaining even support throughout the entire travel range, satisfying a full spectrum of user sized and weights.

- The three-position front stop (FSD) feature allows users to select a task position of -2° , a normal at-rest position of $+1/2^\circ$, or a conference position of $+3^\circ$

- The multiple-position tilt lock feature is designed with a non-launching safety feature and is easily accessed from the seated position.
- Available with integrated seat slider mechanism (SSM) and/or Back Angle Adjustment (BAA) (See 5600 Options)



Leggett & Platt
INCORPORATED

10521_LP_6/11 © 2011 Leggett & Platt, Incorporated

Pivot	Back Travel	Seat Travel	Fwd Tilt Range
Synchro	22°	10.4°	2.5°