

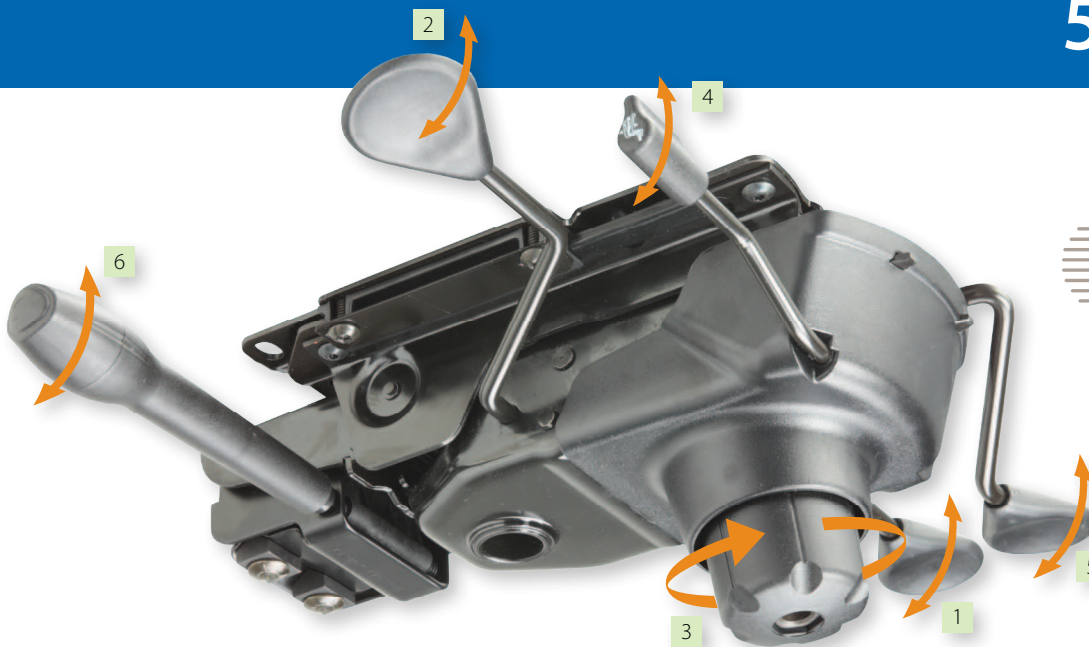
5600 Options

Synchro Tilt Mechanism



GORDON

comfort | performance | design



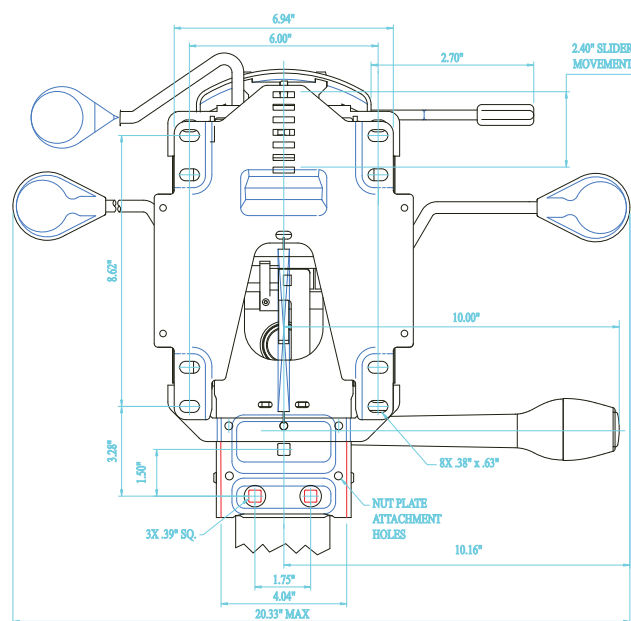
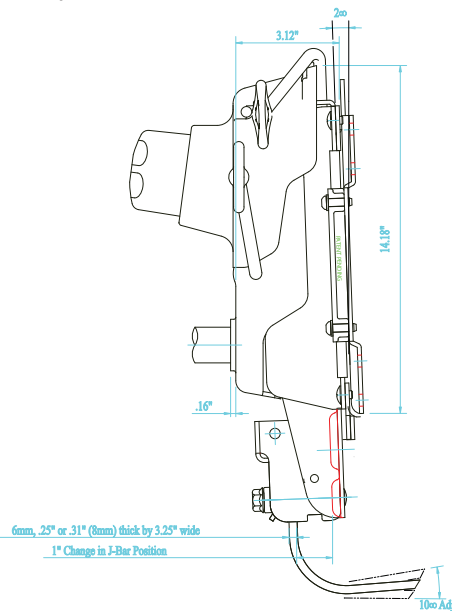
- 1 Mechanism Lock
- 2 Seat Height Adjustment
- 3 Tension Adjustment
- 4 Forward Seating Device (FSD)
- 5 Seat Slide Actuator (SSM)
- 6 Back Angle Adjustment (BAA)

Synchronized mechanism for task and managerial chairs. The tilt tension range has been engineered to provide adequate spring tension and adjustability while maintaining even support throughout the entire travel range, satisfying a full spectrum of user sized and weights.

- The three-position front stop (FSD) feature allows users to select a task position of -2° , a normal at-rest position of $+1/2^\circ$, or a conference position of $+3^\circ$
- The multiple-position tilt lock feature is designed with a non-launching safety feature and is easily accessed from the seated position.

- Optional Integrated Seat Slider adjustment (SSM) lever is located on the front left side of the mechanism assembly and increases the profile height by $.56''$. Seat Slider features 7 stop positions and travels in adjustment increments of $.4$ inches in forward and aft.
- Optional Independent Back Angle Adjustment (BAA) features a separate bolt-on device that allows users to independently adjust the chair back through a 10° range.

5600 Options (SSM, FSD, BAA)



Leggett & Platt
INCORPORATED

10521_LP_6/11 © 2011 Leggett & Platt, Incorporated

Pivot	Back Travel	Seat Travel	Synchro Ratio	Fwd Tilt Range	Sliding Seat Range
Synchro	22°	10.4°	2.1 to 1	2.5°	$2.4''$