

Forward Pivot Knee Tilt Mechanism



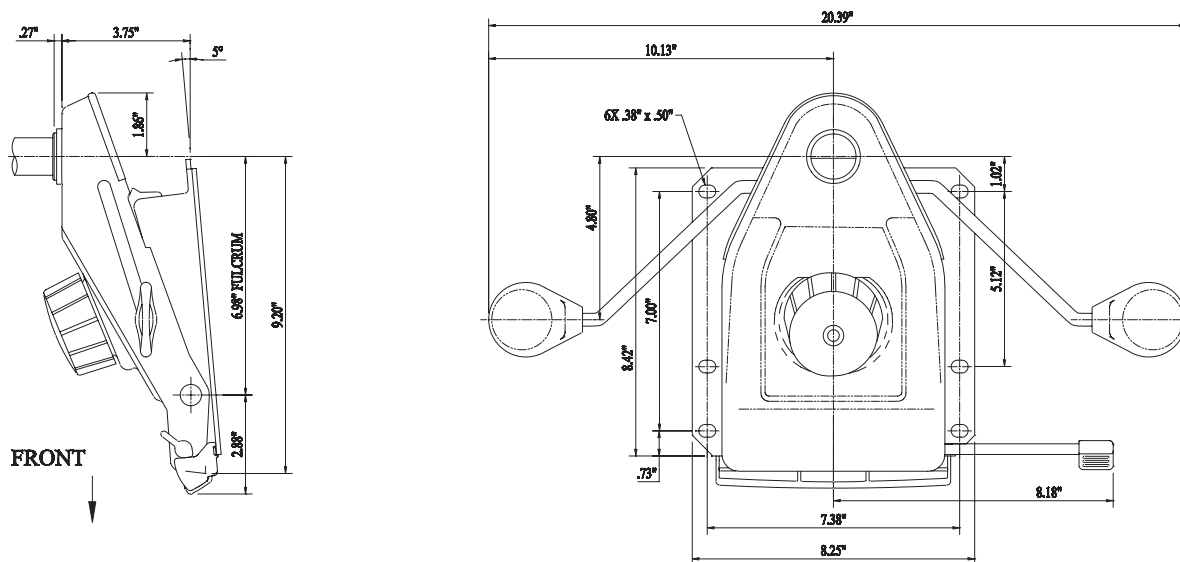
GORDON

comfort | performance | design

- 1 Mechanism Lock
- 2 Seat Height Adjustment
- 3 Tension Adjustment
- 4 Forward Seating Device

Advanced forward pivot knee tilt mechanism with 6.98" fulcrum to reduce front edge seat rise. Two-position front stop feature enables user to select the forward at-rest angle of the chair, either 0° or 5°, based on individual task preference. Compact, low-profile design to maximize seat height adjustment range. Patented high-performance conical coil spring provides wide spectrum of adjustability while maintaining even support throughout entire tilt travel range.

- Separate activation levers for gas lift and tilt lock functions
- Tilt lock can be engaged by moving the lever down to lock and up for free tilt action, and is located on the left side of the mechanism
- Forward tilt lock available at either 0° or 5° at-rest positions on the two-position model. The 0° and 5° single-position models can be locked in the forward position.



Leggett & Platt
INCORPORATED

10521_LP_6/11 © 2011 Leggett & Platt, Incorporated

Pivot	Seat/Back Travel	Fwd Tilt Range
Knee	20°	5°