

Mid-Pivot Swivel Tilt Mechanism



GORDON

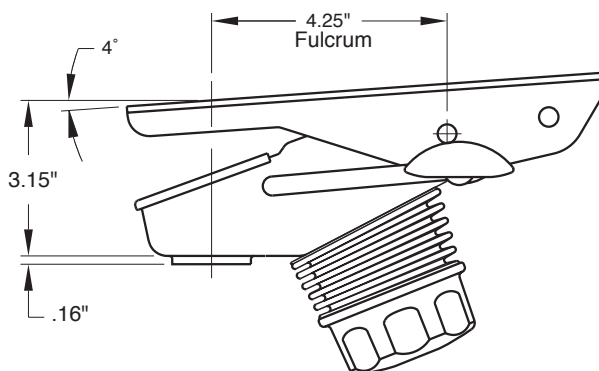
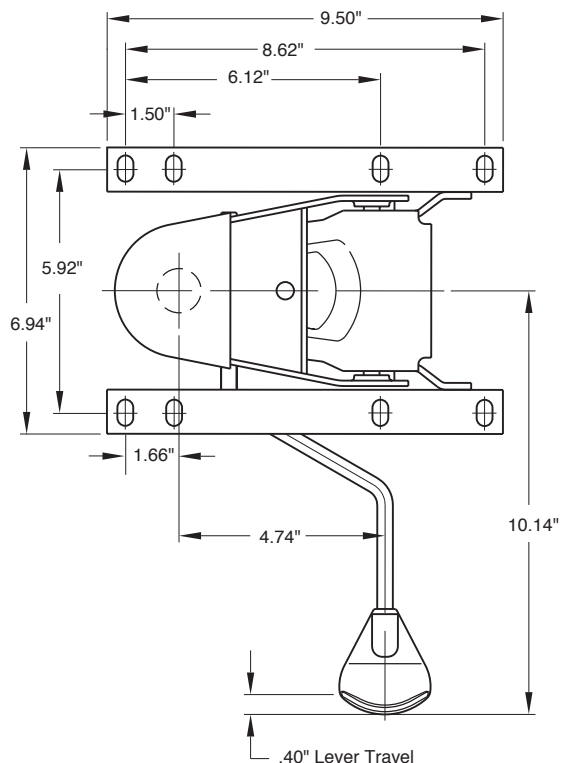
comfort | performance | design



- 1 Tension Adjustment
- 2 Seat Height Adjustment
- 3 Mechanism Lock

Mid-pivot mechanism with a 4.25" fulcrum to reduce front edge seat rise. Features a single position tilt lock. A dual-function, combination lever to activate the gas lift and tilt lock functions. Plastic lever handles are available with optional printed icon graphics.

- Available with integrated seat slider mechanism and/or J-Back attachment for two-piece seating applications (See 4750 Options-SSM, JBACK)



Leggett & Platt
INCORPORATED

10521_LP_6/11 © 2011 Leggett & Platt, Incorporated

Pivot	Seat/Back Travel
Mid-Pivot	20°