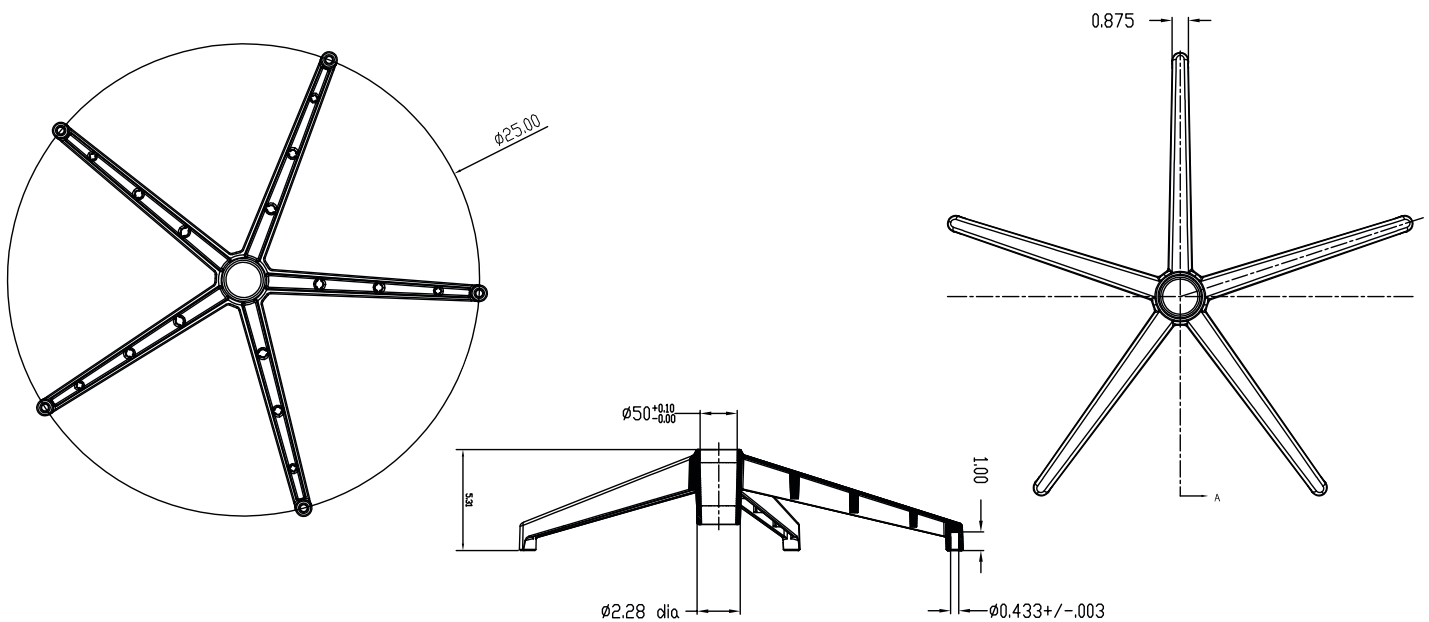


# Refresh Base



Functional, yet elegant, this five star base features clean rectilinear lines and smooth surfaces that reflect a timeless appearance, appropriate for various environments, from classic to contemporary. Plastic and Aluminum models available.



\* Hub coring accepts: Hub extension columns (45-50mm), Gas Lift Mechanisms (45-50mm) \*

Legs	Total Diameter	Caster-Caster Span	Total Height	Max. Stem Height
5	26"	25"	5.35"	1"

*Leggett & Platt*  
INCORPORATED

10521\_LP\_6/11 © 2011 Leggett & Platt, Incorporated