

LP06 Synchro

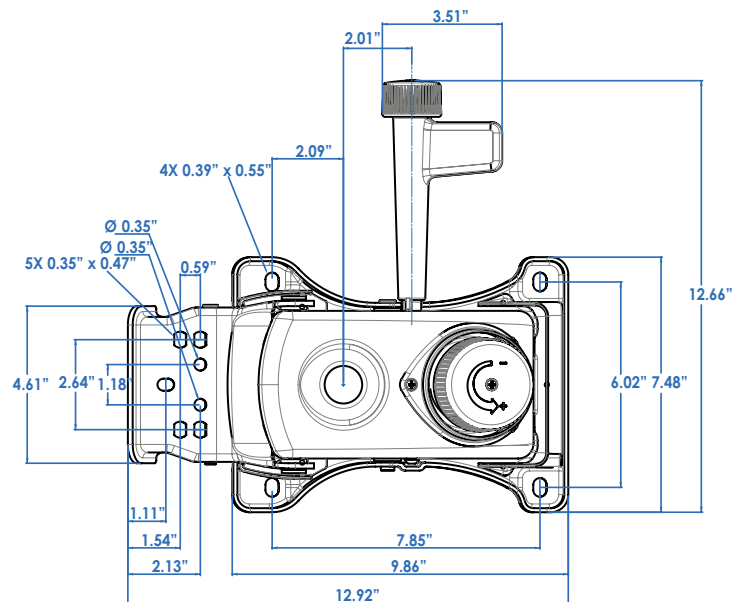
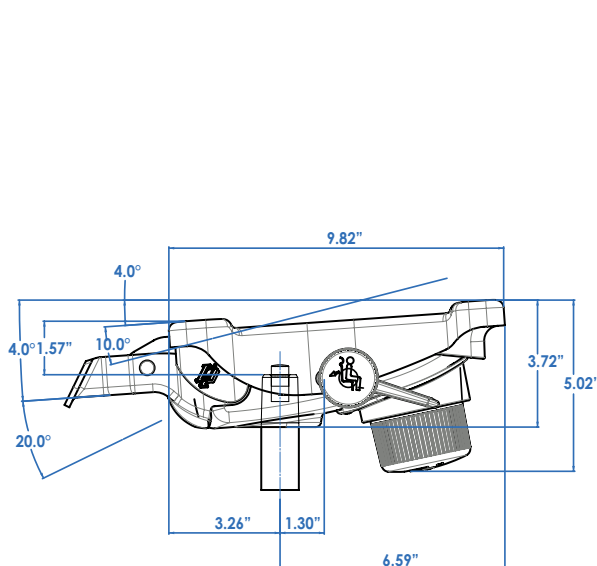
Synchro Tilt Mechanism



- 1 Mechanism Lock
- 2 Seat Height Adjustment
- 3 Tension Adjustment

LP06 is a synchronized mechanism featuring ride characteristics typically associated with top line products. The primary mechanism components are constructed of steel, and as a complete assembly, have been engineered to provide a broad range of support, thus satisfying a full spectrum of user sizes and weights. With the mechanism's low profile configuration and external

back support member, visual boundaries for design are minimized, thus enabling a new look and freedom in chair styling and performance. The mechanism features a bottom knob for tension adjust, and a dual-function, side-activated 4 position tilt lock and seat height adjustment.



Pivot	Back Travel	Seat Travel
Synchro	24°	12°

Leggett & Platt
INCORPORATED

10521_LP_6/11 © 2011 Leggett & Platt, Incorporated