

# LP06 Multi-Lock

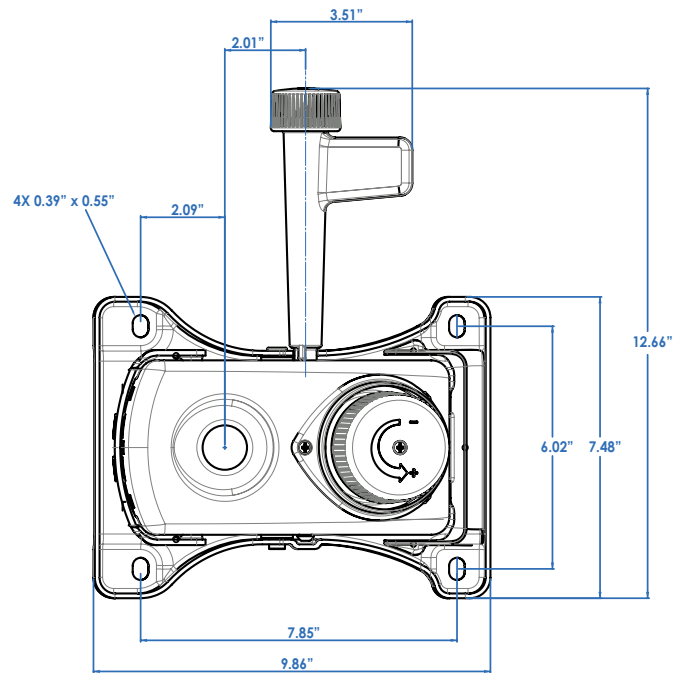
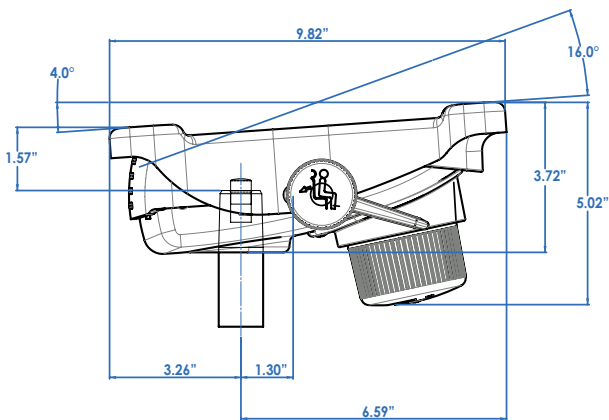
## Center Pivot Mechanism



- 1 Mechanism Lock
- 2 Seat Height Adjustment
- 3 Tension Adjustment

Center pivot mechanism for use with small to medium fixed back tilting chairs. This mechanism features a bottom knob for tension adjust and dual-function, combination rotational lever for its 5 position tilt lock and chair height adjustment.

With the mechanism's low profile configuration, visual boundaries for design are minimized, thus enabling a new look and freedom in chair styling and performance.



Pivot	Seat/Back Travel
Center Pivot	16°

*Leggett & Platt*  
INCORPORATED

10521\_LP\_6/11 © 2011 Leggett & Platt, Incorporated