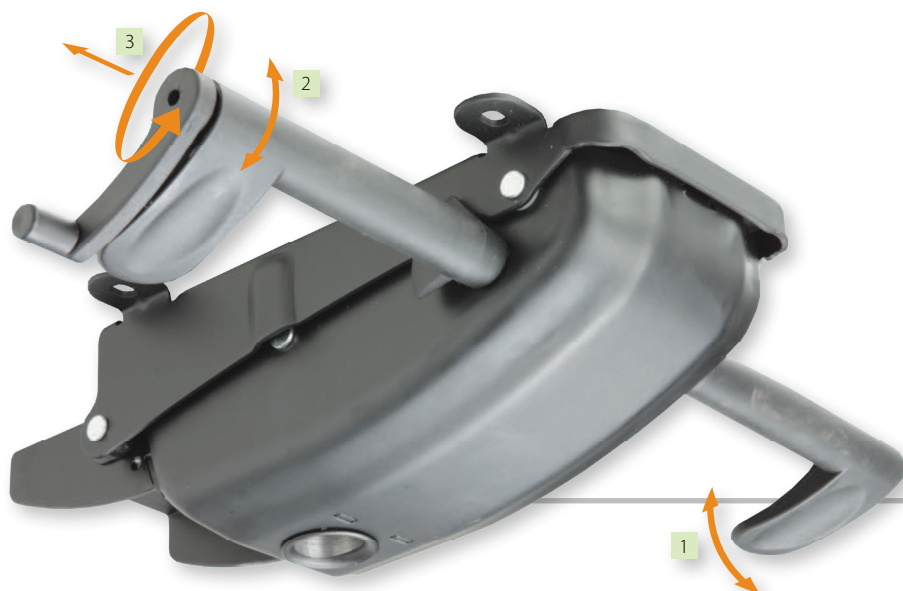


Synchro Tilt Mechanism

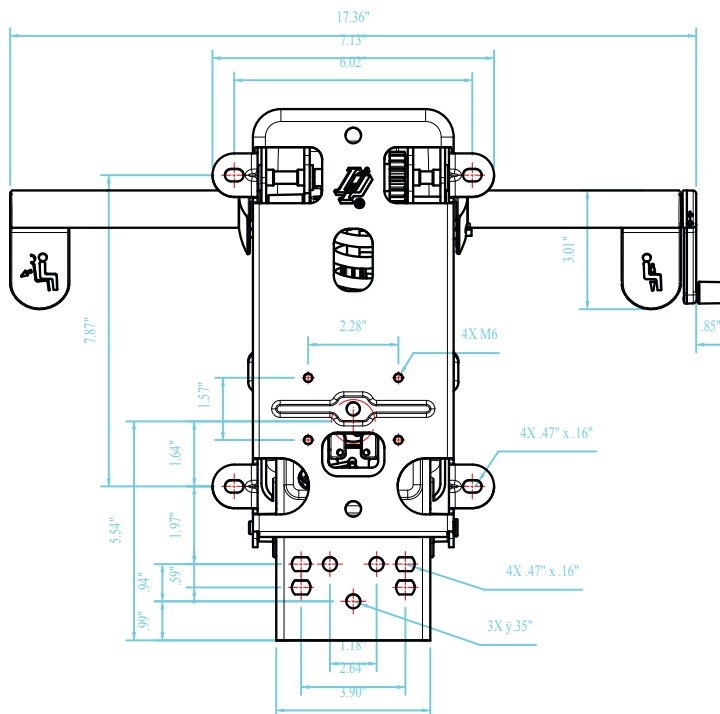
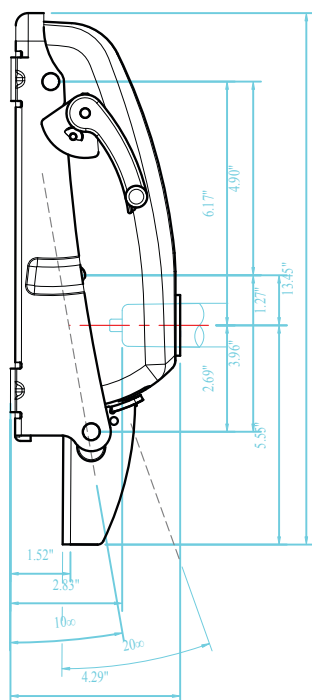


- 1 Mechanism Lock
- 2 Seat Height Adjustment
- 3 Tension Adjustment

The LP01 offers a value-priced forward pivot synchro mechanism alternative, while maintaining features and ride characteristics typically associated with top line products. The primary mechanism components are constructed of steel and have been engineered to provide a broad range of support for small to medium sized chairs. The mechanism features side-

activated, easily accessed 6 position tilt lock, seat height and tension adjustments.

- Available with Integrated Seat Slide (SSM), Independent Seat Angle Adjust (FSD), Customized Back Bar Hole Patterns (SEE LP01 OPTIONS –SSM, FSD)



Leggett & Platt
INCORPORATED

10521_LP_6/11 © 2011 Leggett & Platt, Incorporated

Pivot	Back Travel	Seat Travel	Seat/Back Recline Ratio
Synchro	20°	10°	2 to 1