

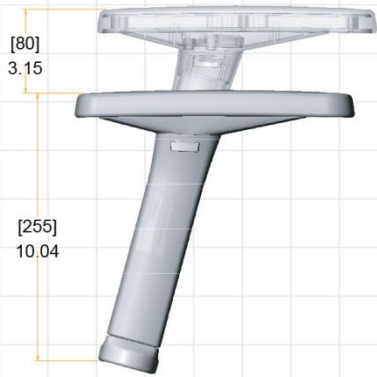
# 4MOTION Arm

This multi-functional arm incorporates motions that will provide comfort and relief from tensions and stresses related to uncomfortable and static sitting.

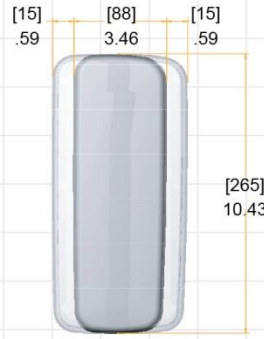


© 2017 Northfield Metal Products Ltd. The shape of a Northfield Chair Control is a trademark of Northfield Metal Products. The shape is your guarantee that you have purchased a genuine, high-quality product made by Northfield. Northfield Metal Products Ltd. is a division of Leggett & Platt Ltd. Printed in Canada.

# 4MOTION Arm



**1<sup>st</sup> MOTION** Activated by a side button, located under the arm pad, 4MOTION-arm features 3 1/8" (80mm) of vertical travel to help relieve upper back and shoulder fatigue.



**3<sup>rd</sup> MOTION** A further ability for the arm pad to move laterally .59" (15mm) inward or .59" (15mm) outward allows for arm width comfort.



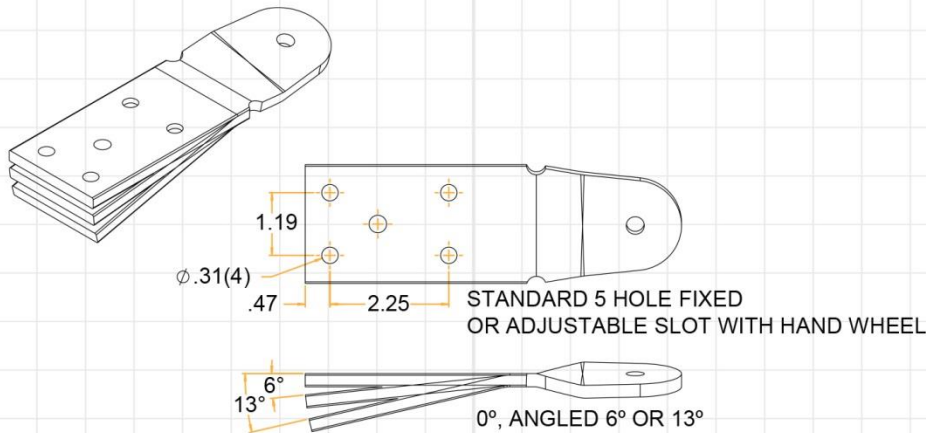
**2<sup>nd</sup> MOTION** The ability for the arm pad to move longitudinally 1.57" (40mm) forward and 1.57" (40mm) back by friction-activated adjustment, allows the user to get closer to their work surface while maintaining effective use of the backrest.



**4<sup>th</sup> MOTION** An ability for the arm pad to pivot inward 20 degrees or outward 20 degrees provides the user with more natural forearm support & motion common to various tasks such as keying and mousing.

## OPTIONS

### OPTIONS FOR MOUNTING BAR



### NEW CS CAM ACTIVATED LAT 5<sup>th</sup> MOTION



[MILLIMETRES]  
INCHES

