

Center Pivot Swivel Tilt Mechanism



GORDON

comfort | performance | design

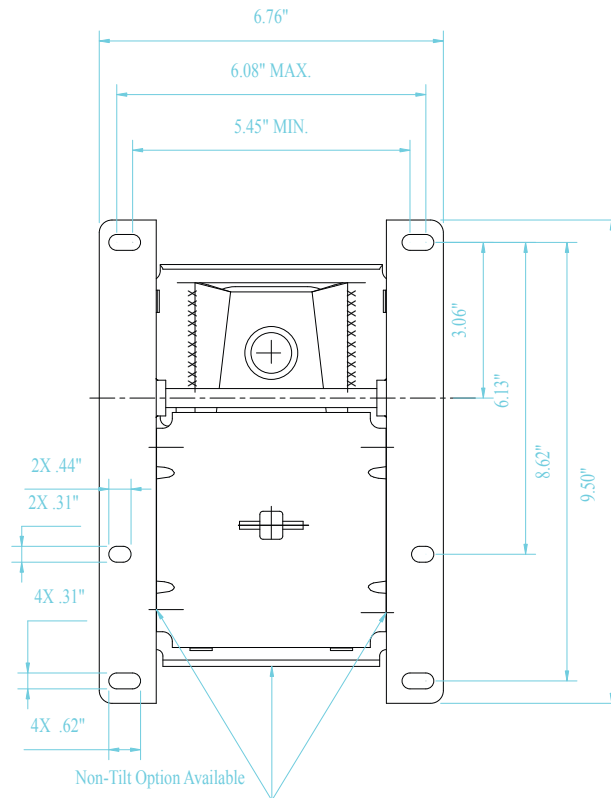
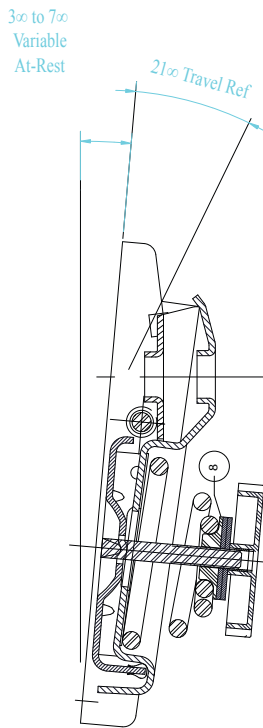


1 Tension Adjustment

2 Seat Height Adjustment

Fixed Back Swivel Tilt Control designed for use with small to medium fixed back tilting chairs. Features a single position tilt

lock option. Bottom knob for tension adjust. A dual-function, combination lever for locking and chair height adjustment



Leggett & Platt

9634_LP_6/10 © 2010 Leggett & Platt, Incorporated

Pivot	Seat/Back Travel
Center Pivot	Up to 22°

